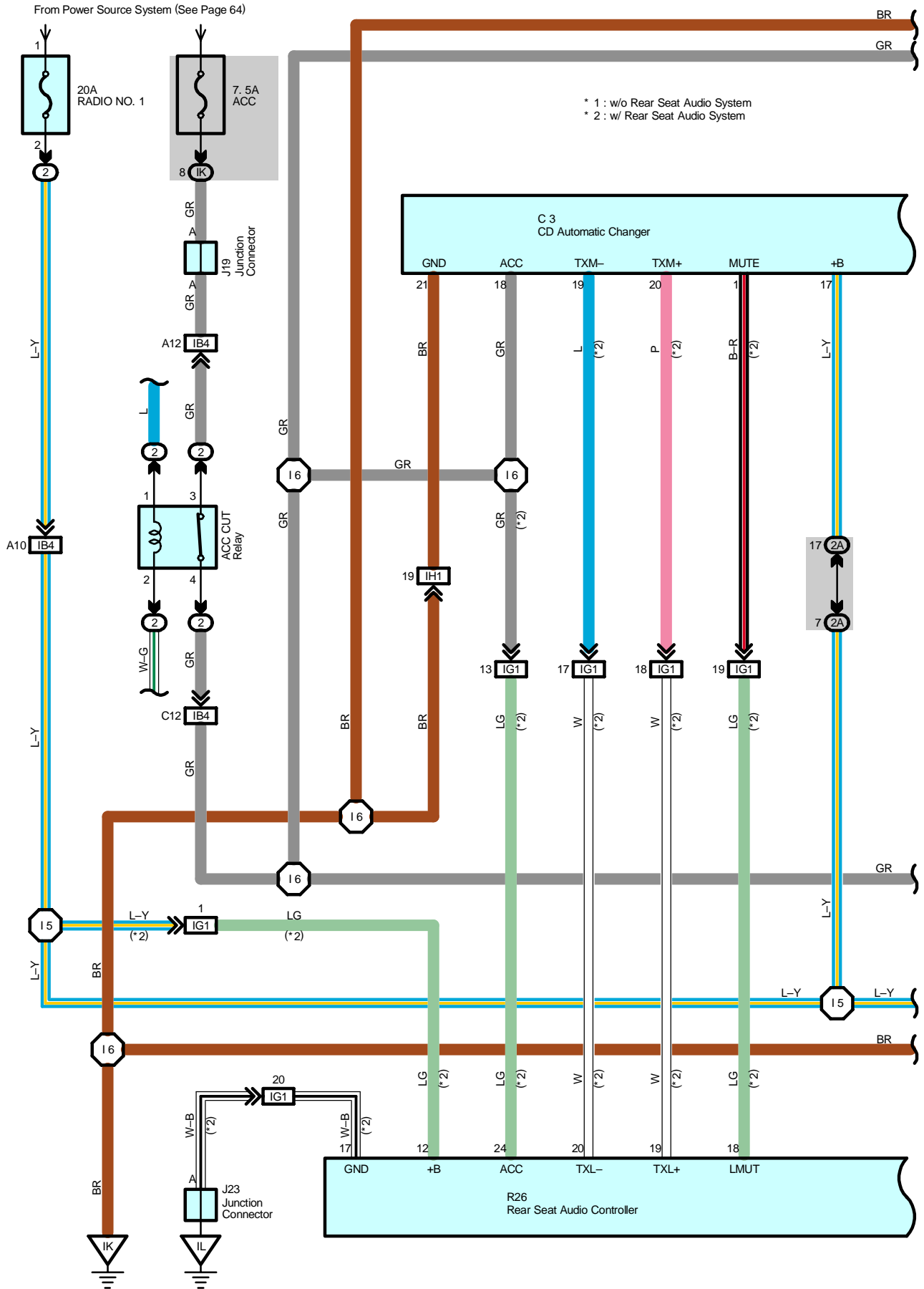
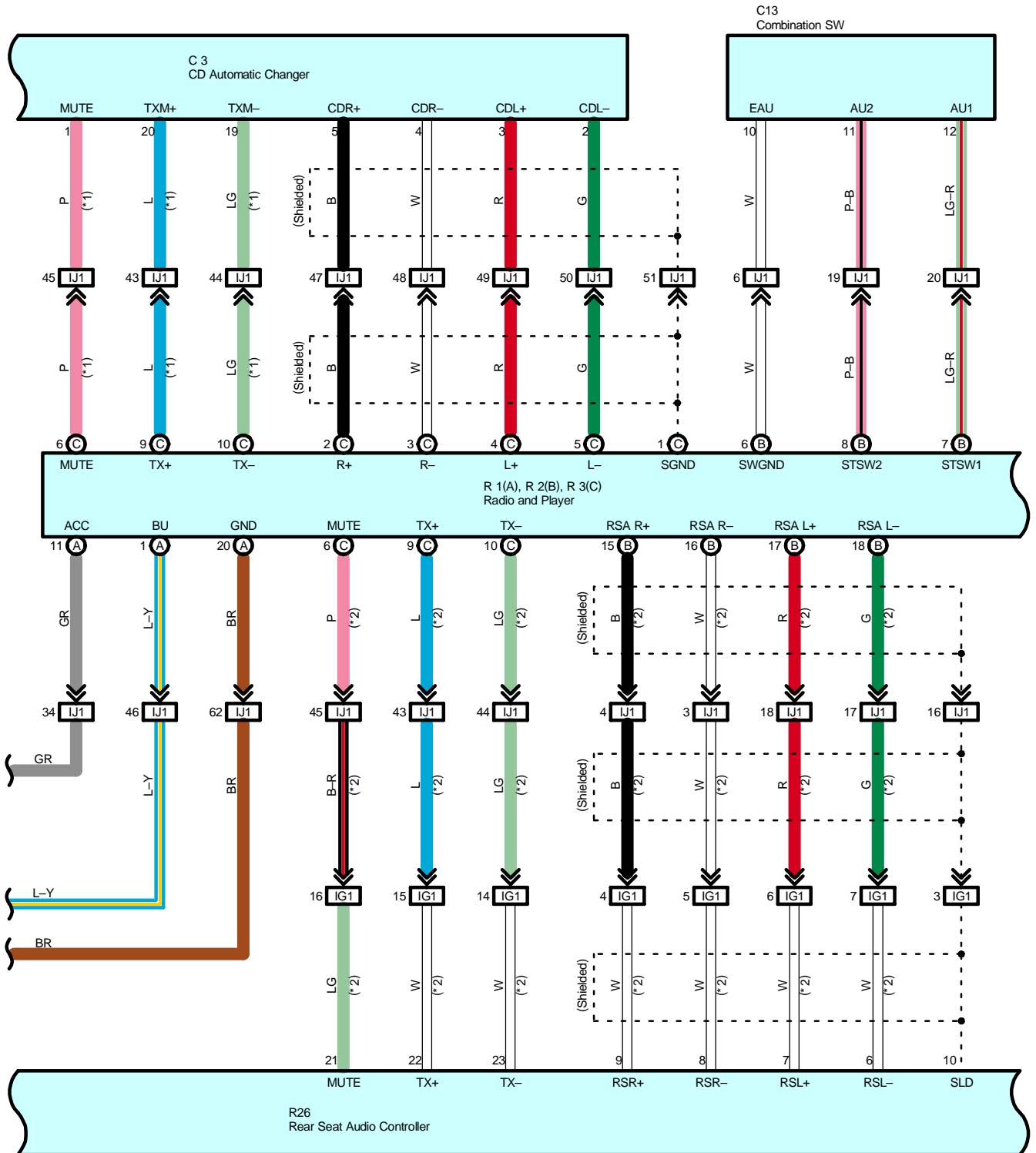
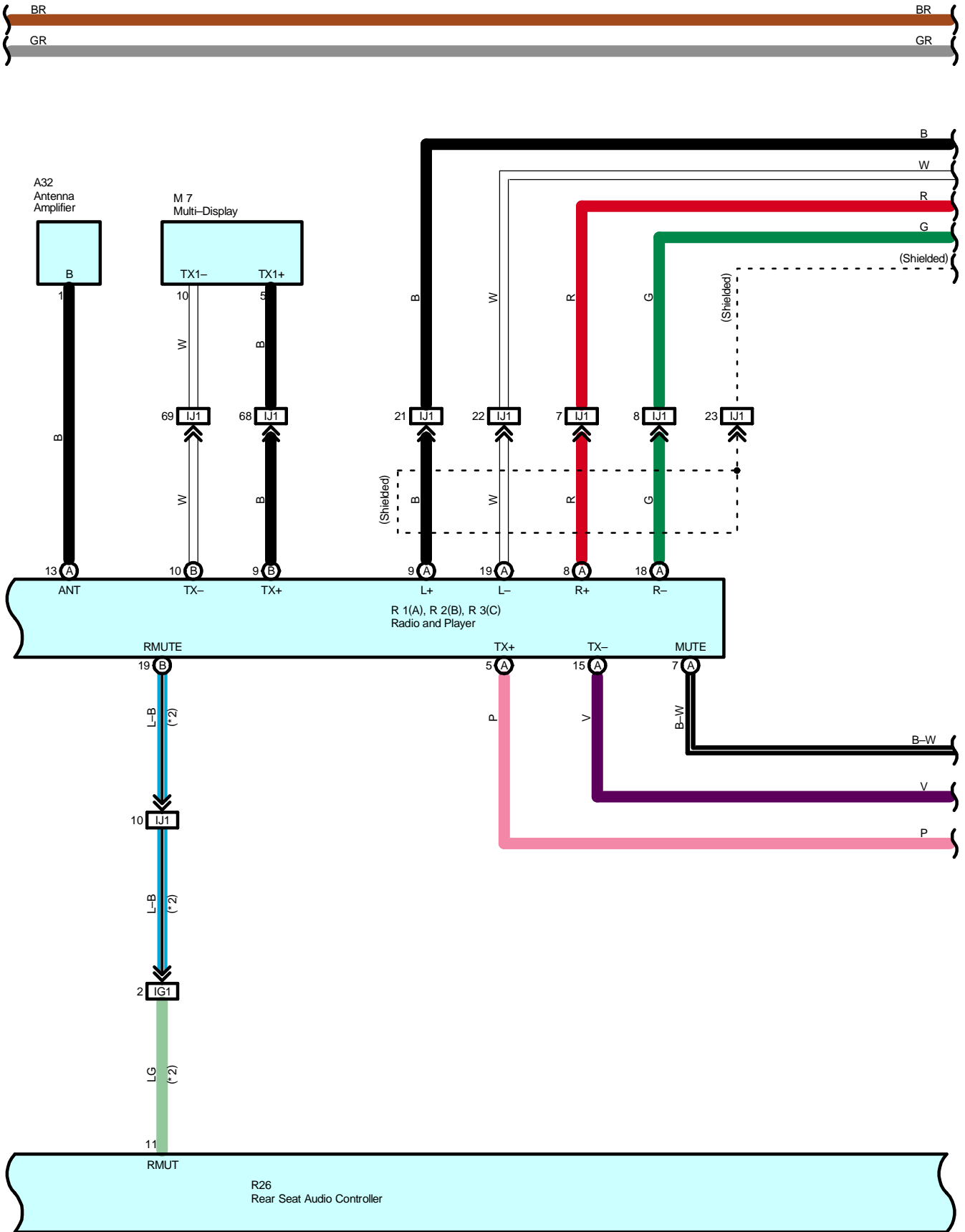


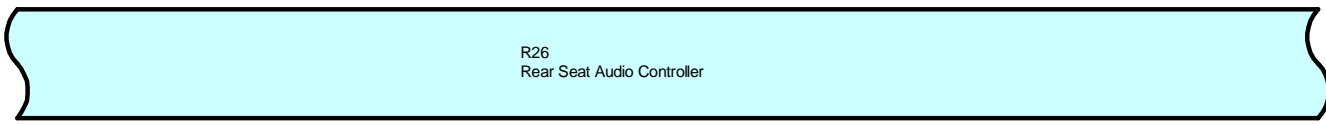
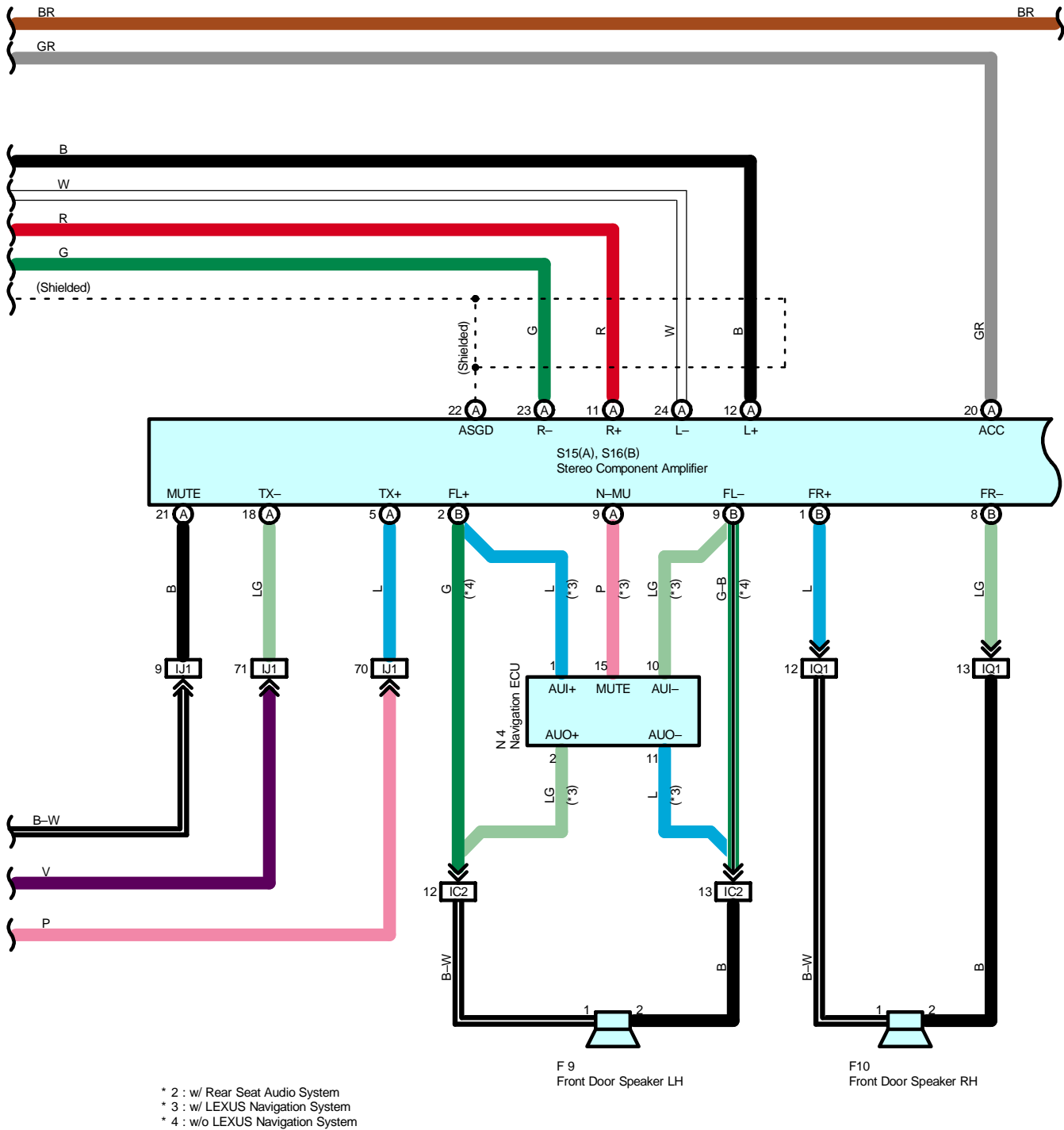
Radio and Player (w/o Rear Seat Entertainment System)



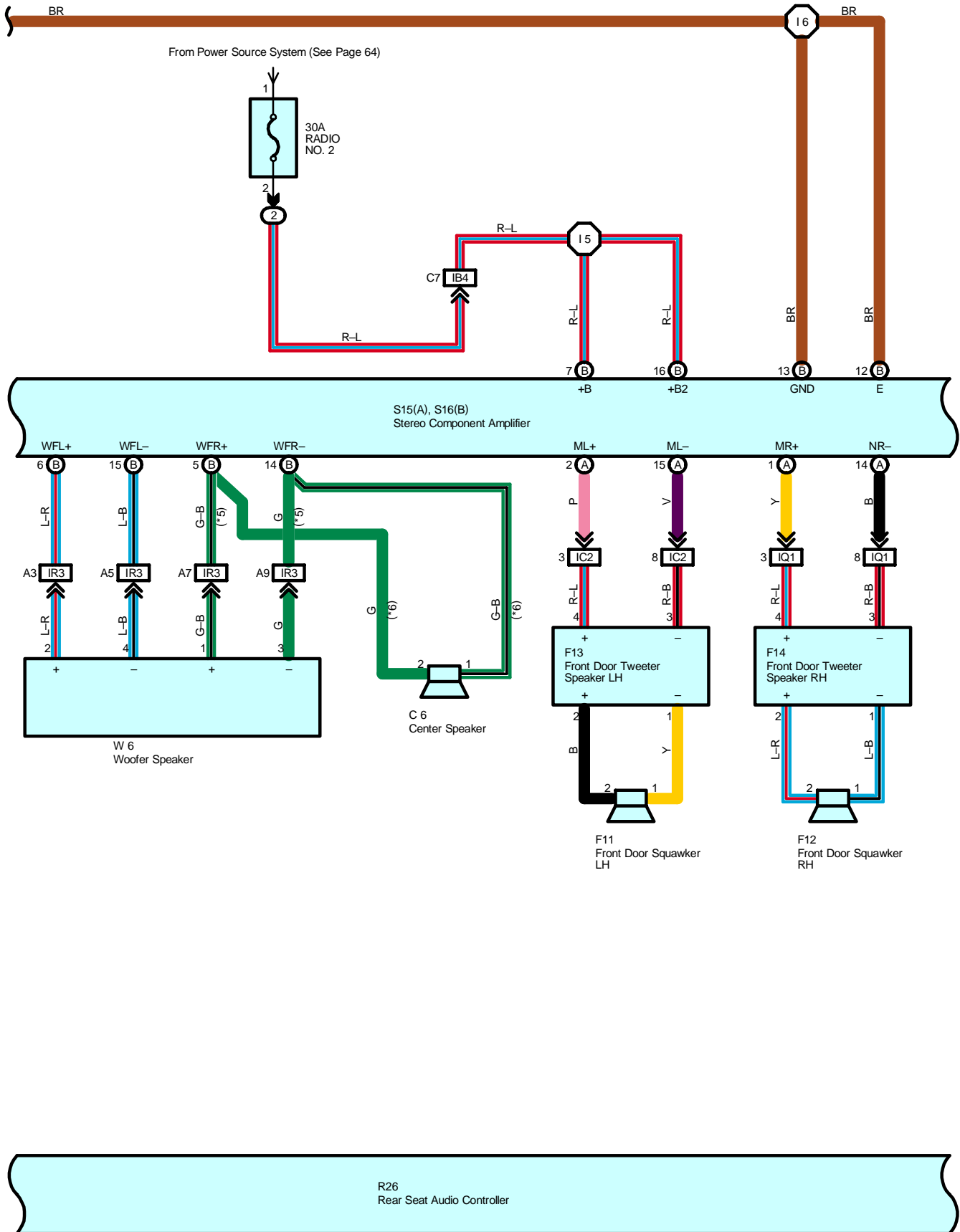


Radio and Player (w/o Rear Seat Entertainment System)

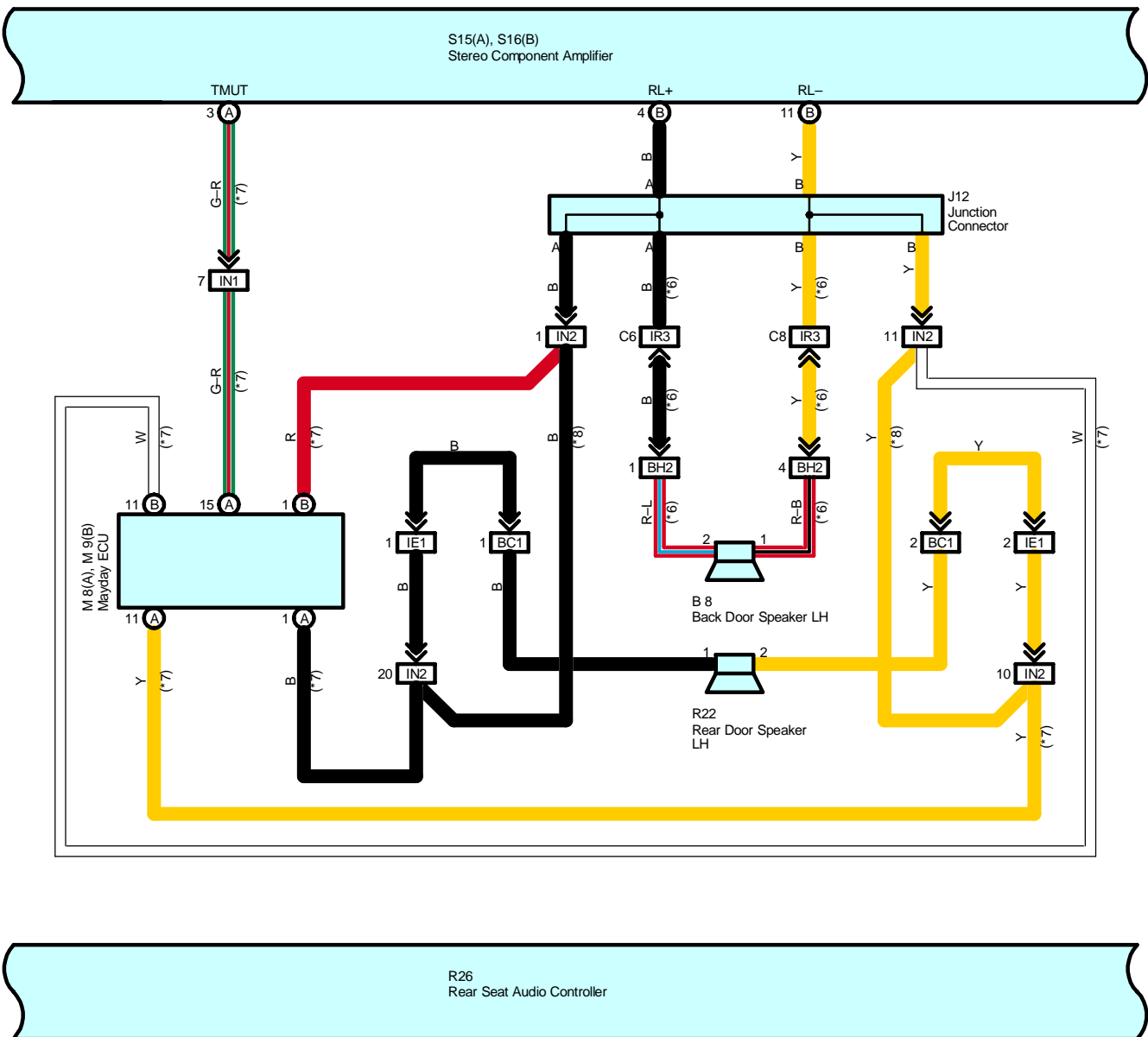




Radio and Player (w/o Rear Seat Entertainment System)

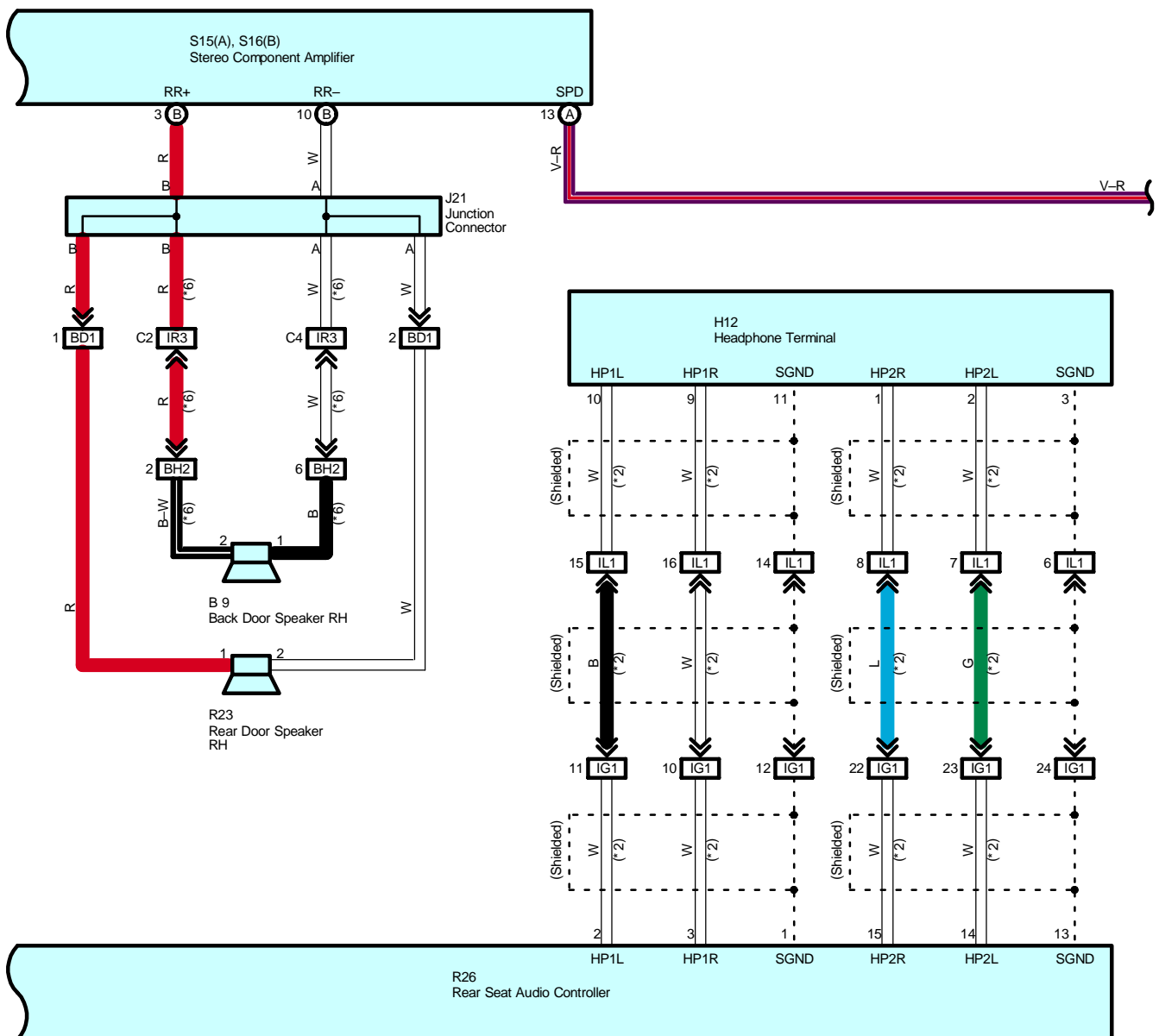


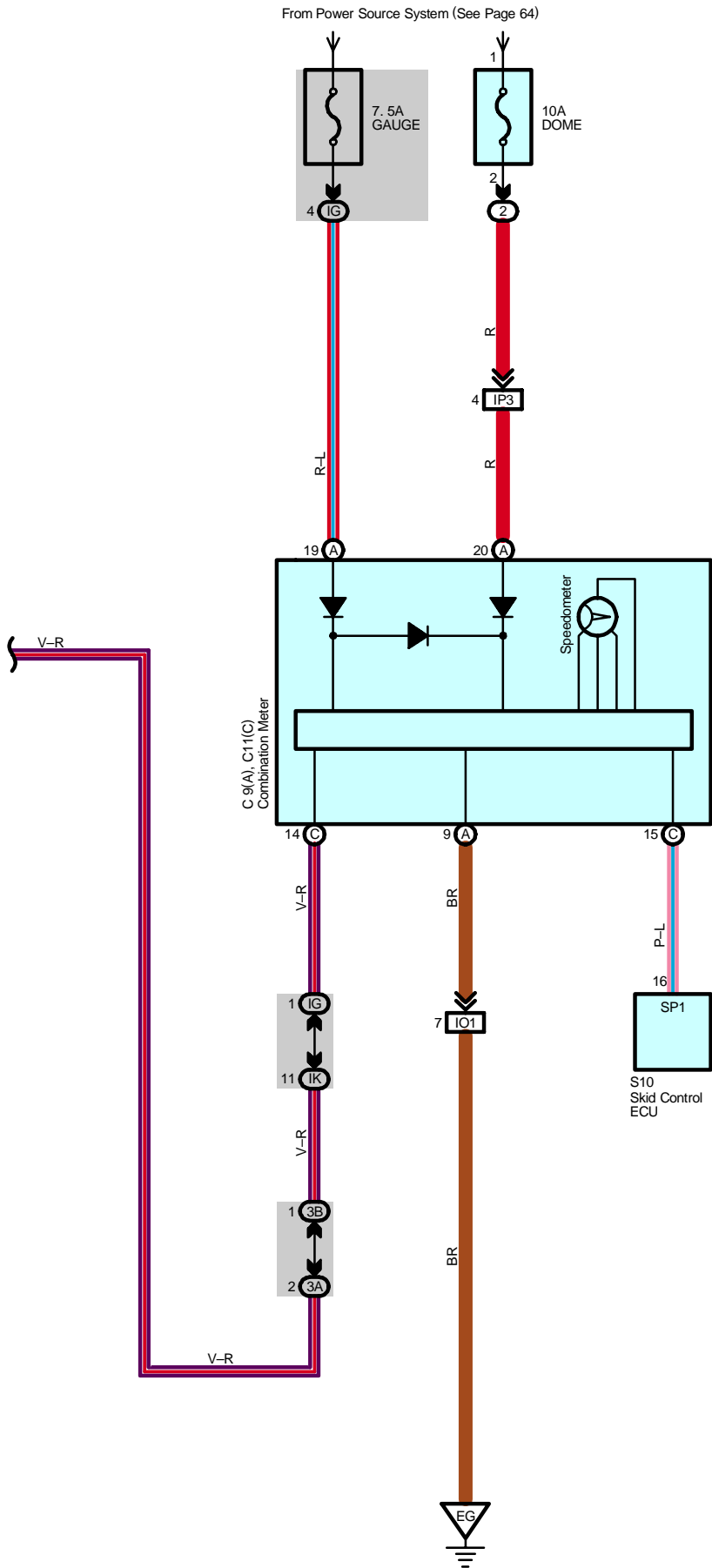
- * 5 : 9 Speaker
- * 6 : 12 Speaker
- * 7 : w/ LEXUS Link System (Mayday System)
- * 8 : w/o LEXUS Link System (Mayday System)



Radio and Player (w/o Rear Seat Entertainment System)

* 2 : w/ Rear Seat Audio System
 * 6 : 12 Speaker





Radio and Player (w/o Rear Seat Entertainment System)

Service Hints

R26 Rear Seat Audio Controller

- 17-Ground : Always continuity
- 12-Ground : Always approx. 12 volts
- 24-Ground : Approx. 12 volts with the ignition SW at ACC or ON position

C3 CD Automatic Changer

- 21-Ground : Always continuity
- 17-Ground : Always approx. 12 volts
- 18-Ground : Approx. 12 volts with the ignition SW at ACC or ON position

R1 (A) Radio and Player

- (A)20-Ground : Always continuity
- (A) 1-Ground : Always approx. 12 volts
- (A)11-Ground : Approx. 12 volts with the ignition SW at ACC or ON position

S15 (A), S16 (B) Stereo Component Amplifier

- (B)12, (B) 13-Ground: Always continuity
- (B) 7, (B) 16-Ground : Always approx. 12 volts
- (A)20-Ground : Approx. 12 volts with the ignition SW at ACC or ON position

○ : Parts Location

Code	See Page	Code	See Page	Code	See Page
A32	38	F12	43	N4	40
B8	42	F13	43	R1	A 41
B9	42	F14	43	R2	B 41
C3	38	H12	39	R3	C 41
C6	38	J12	40	R22	44
C9	A 38	J19	40	R23	44
C11	C 38	J21	40	R26	44
C13	38	J23	40	S10	41
F9	43	M7	40	S15	A 41
F10	43	M8	A 44	S16	B 41
F11	43	M9	B 44	W6	45

○ : Relay Blocks

Code	See Page	Relay Blocks (Relay Block Location)
2	22	Engine Room R/B (Engine Compartment Left)

○ : Junction Block and Wire Harness Connector

Code	See Page	Junction Block and Wire Harness (Connector Location)
IG	27	Instrument Panel Wire and Driver Side J/B (Lower Finish Panel)
IK		
2A	32	Instrument Panel Wire and J/B No.2 (Instrument Panel Reinforcement Center)
3A	34	Instrument Panel Wire and J/B No.3 (Instrument Panel Reinforcement Right)
3B		

 : **Connector Joining Wire Harness and Wire Harness**

Code	See Page	Joining Wire Harness and Wire Harness (Connector Location)
IB4	50	Instrument Panel Wire and Engine Room Main Wire (Left Kick Panel)
IC2	50	Front Door LH Wire and Instrument Panel Wire (Left Kick Panel)
IE1	52	Instrument Panel Wire and Instrument Panel Wire (Left Kick Panel)
IG1	52	Radio Installation Sub Wire and Instrument Panel Wire (Upper the Driver Side J/B)
IH1	52	Instrument Panel Wire and Instrument Panel Wire (Near the J/B No.1)
IJ1	52	Instrument Panel Wire and Instrument Panel No.2 Wire (Instrument Panel Brace LH)
IL1	52	Radio Installation Sub Wire and Instrument Panel Wire (Under the Instrument Panel Brace LH)
IN1	54	Floor No.3 Wire and Instrument Panel Wire (Under the Instrument Panel Brace RH)
IN2		
IO1	54	Engine Wire and Instrument Panel Wire (Right Side of the Blower Unit)
IP3	54	Instrument Panel Wire and Engine Room Main Wire (Right Kick Panel)
IQ1	56	Front Door RH Wire and Instrument Panel Wire (Right Kick Panel)
IR3	56	Instrument Panel Wire and Floor Wire (Right Kick Panel)
BC1	58	Rear Door LH Wire and Instrument Panel Wire (Center Pillar LH)
BD1	58	Rear Door RH Wire and Instrument Panel Wire (Center Pillar RH)
BH2	60	Back Door No.1 Wire and Floor Wire (Right Quarter Panel Inner)

 : **Ground Points**

Code	See Page	Ground Points Location
EG	48	Rear Bank of Left Cylinder Head
IK	50	Instrument Panel Brace LH
IL	50	Right Kick Panel

 : **Splice Points**

Code	See Page	Wire Harness with Splice Points	Code	See Page	Wire Harness with Splice Points
I5	52	Instrument Panel Wire	I6	52	Instrument Panel Wire